

# **BRIQUETTING PRESSES**

## **TH VARIO PLUS SERIES**

TH 800 X | TH 800 S | TH 900 S

# BUILT-IN FLEXIBILITY.

THANKS TO ITS MODULAR DESIGN THE TH VARIO PLUS SERIES ADAPTS TO YOUR INDIVIDUAL PRODUCTION CONDITIONS.



## TH 800 X SCREW CONVEYOR

→ Two screws convey twice the amount of material into the dust collection port



## HOPPER

→ With agitator and screw auger //  
1400 x 1400 mm or 2000 x 2000 mm for  
better feeding and higher buffer capacity



## PLC-CONTROL

→ Manual control for unblocking  
// International standard parts



## MODULAR COMPONENTS

→ Press, hydraulic system, hopper and  
accessories are deliverable separately //  
Can be combined individually // Adap-  
table to pre-existing systems // Optional  
oil cooling for multi-shift operation



## BRIQUETTE LENGTH CONTROL

→ Designed for consistent briquette sizing



## YOUR BENEFITS.

- ✓ Optimum use of waste material
- ✓ Briquettes can be sold
- ✓ Transport and storage savings
- ✓ No binders or additives necessary
- ✓ Minimum disposal costs
- ✓ Save handling of explosive dust

### TH 800 X DUST COLLECTION PORT

→ Wider filling tower for higher throughput



### HYDRAULICS WITH SEPARATED OIL TANK

→ Temperature controlled hydraulic system  
// Valve control // Pump designed for long  
operating time



### END POSITION CUSHIONED CYLINDER

→ Dustproof and closed dust collection port  
with end position cushioned cylinder und  
bolted over // Maintenance-free operation



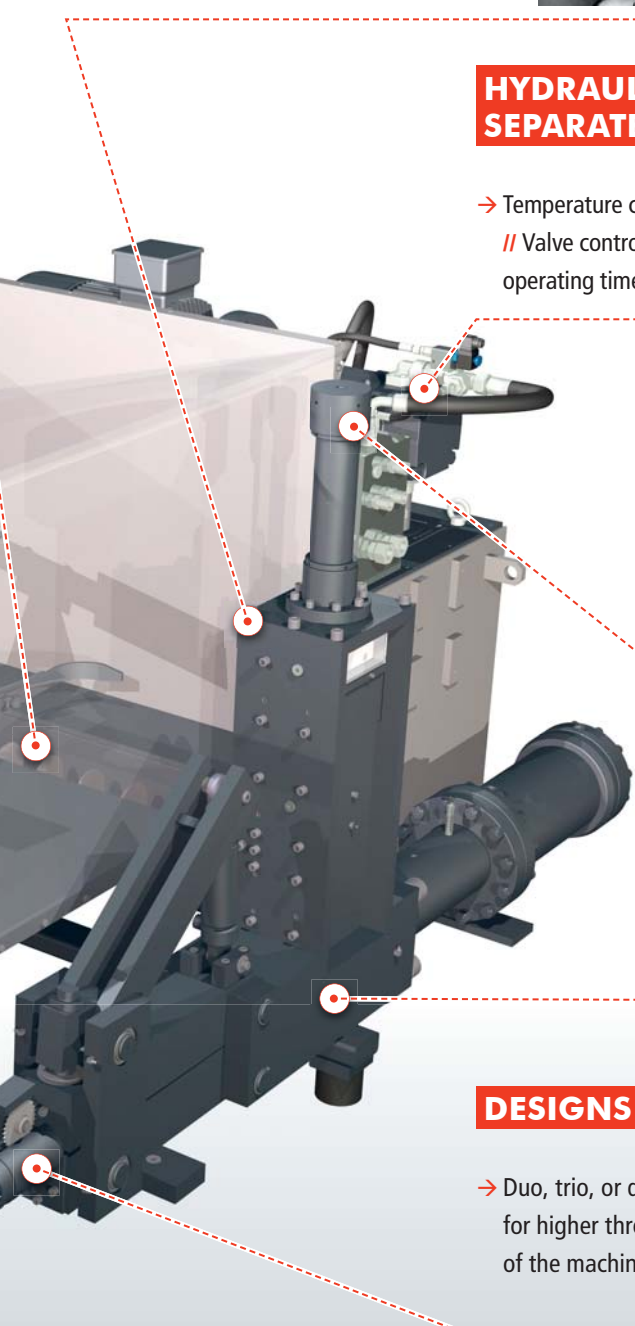
### PRESSING CHAMBER INSERT

→ Prevents wear in pressing zone



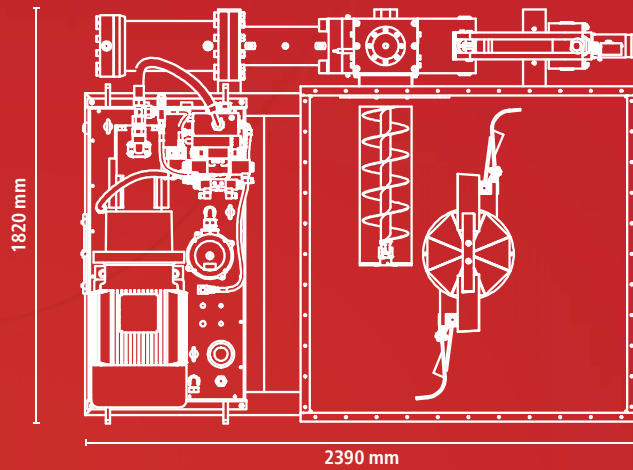
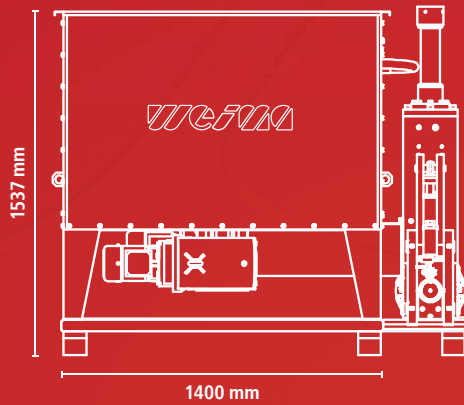
### DESIGNS

→ Duo, trio, or quattro machine designs  
for higher throughput and availability  
of the machine





**TH 800 S**



TECHNICAL SPECIFICATIONS	TH 800 X	TH 800 S	TH 900 S
Briquette diameter [mm]	80	80	85
Output [kg/h]	up to 200*	up to 250*	up to 350*
Hydraulic motor [kW]	11	22	22
Hydraulic oil charge [l]	250	600	600
Weight [approx. kg]	2,000**	2,500**	3,000**

\* Output depends on the type of material. Data is average.

\*\* Total Weight of machine including all components (deviations are possible).  
For planning purposes please ask for drawings.